

REF: STC NO. SR00043LA

500D2100-5 SWASHPLATE CLIP KIT

GENERAL:

P/N 500D2110 Swashplate Clips are for installation in rotating swashplates to prevent rod end bearing wear on inner lug areas precluding premature costly swashplate replacement.

INSTALLATION INSTRUCTIONS:

Install 5 each 500D2110 Clips per 500D2100 Installation drawing and M.D.H.S. CSP-HMI-2 instructions. Clips do not interfere with or change existing assembly build up.

INSPECTION AND MAINTENANCE:

Visually inspect clips for cracks or deformation when conducting scheduled inspections. Any defects noted are cause for replacement of affected clip.

CONTENTS: 1 KIT

5 each 500D2110 Clip
1 each copy STC no. SR00043LA
1 each 500D2100 Installation Drawing
1 each Sheet 1 rev. N/C.

VAN HORN ENGINEERING CORPORATION PROPRIETARY RIGHTS ARE INCLUDED IN THE INFORMATION DISCLOSED HEREIN. RECIPIENT, BY ACCEPTING THIS DOCUMENT, AGREES THAT NEITHER THIS DOCUMENT NOR THE INFORMATION DISCLOSED HEREIN NOR ANY PART THEREOF SHALL BE REPRODUCED OR TRANSMITTED TO OTHER DOCUMENTS OR USED OR DISCLOSED TO OTHERS FOR MANUFACTURING OR FOR ANY OTHER PURPOSE EXCEPT AS SPECIFICALLY AUTHORIZED IN WRITING BY VAN HORN ENGINEERING CORPORATION.

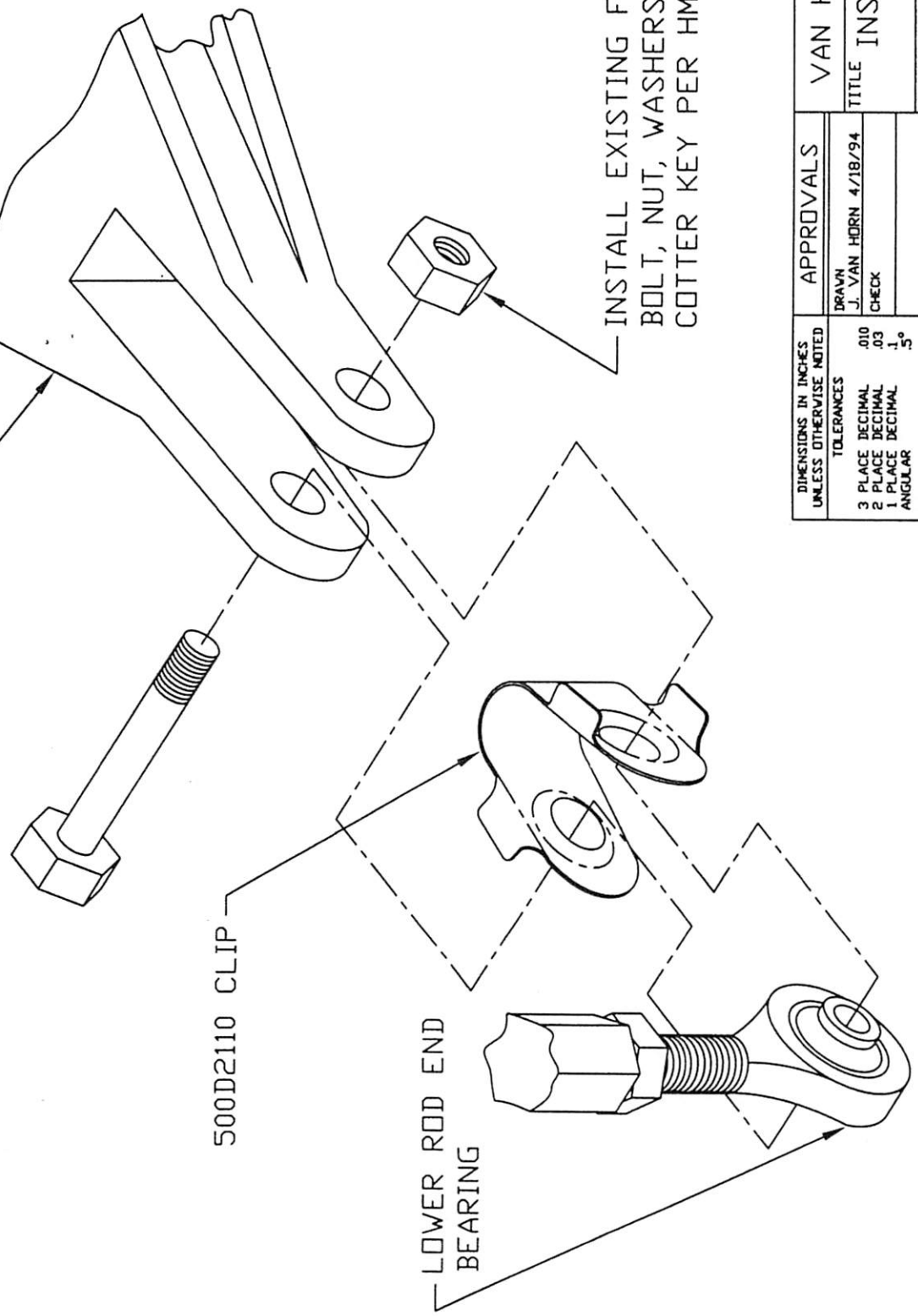
UNPUBLISHED - CREATED ON THE PREPARATION DATE OF THIS DOCUMENT.
 ALL RIGHTS RESERVED UNDER THE COPYRIGHT LAWS BY VAN HORN ENGINEERING CORPORATION.

ROTATING SWASHPLATE LUG

500D2110 CLIP

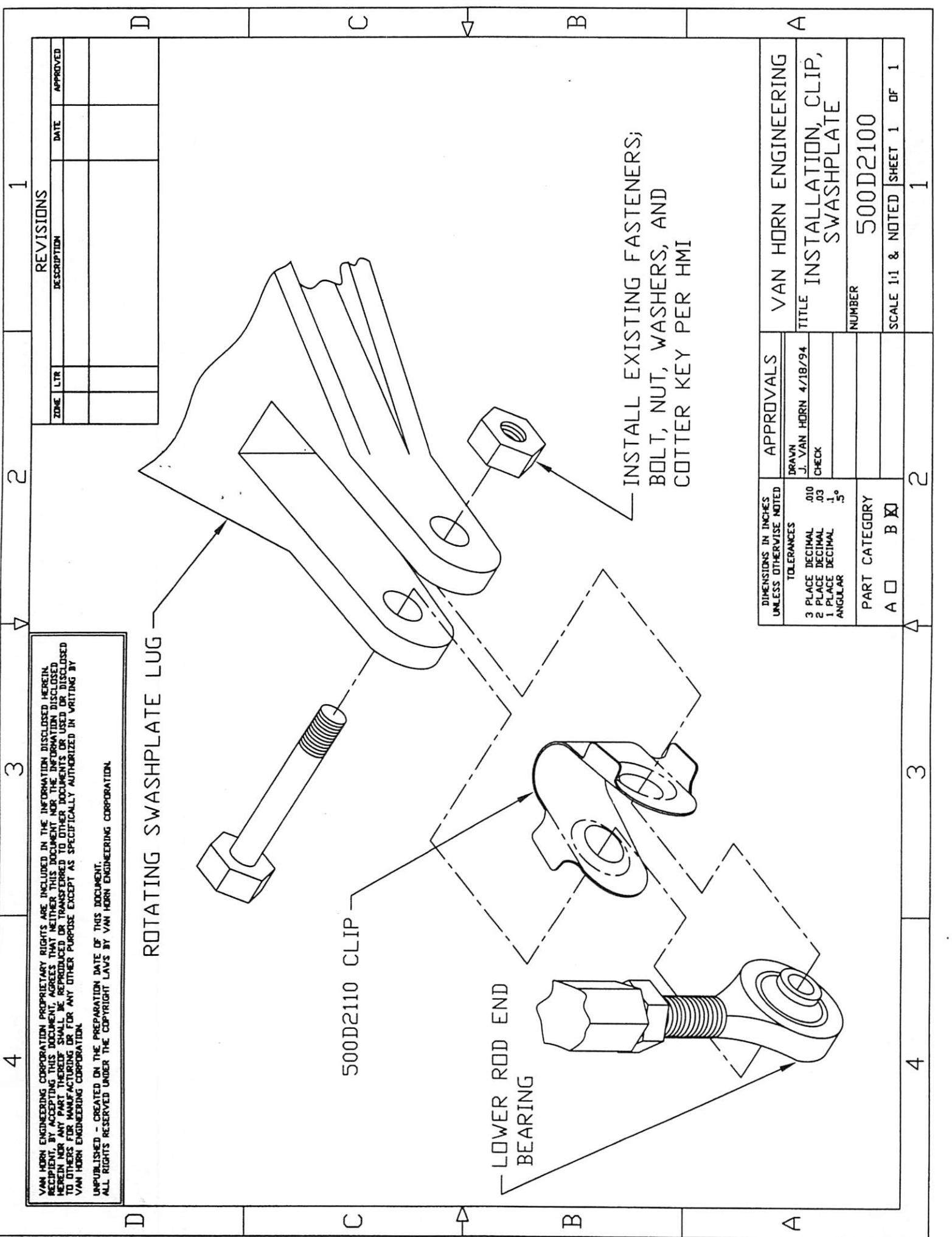
LOWER ROD END BEARING

INSTALL EXISTING FASTENERS;
 BOLT, NUT, WASHERS, AND
 COTTER KEY PER HMI



REVISIONS		
ZONE	LTR	DATE

DIMENSIONS IN INCHES UNLESS OTHERWISE NOTED	APPROVALS	VAN HORN ENGINEERING
	TOLERANCES	
3 PLACE DECIMAL .010	DRAWN J. VAN HORN 4/18/94	INSTALLATION, CLIP, SWASHPLATE
2 PLACE DECIMAL .03	CHECK	NUMBER
1 PLACE DECIMAL .1		500D2100
ANGULAR .5°		SCALE 1:1 & NOTED
PART CATEGORY		SHEET 1 OF 1
A <input type="checkbox"/> B <input checked="" type="checkbox"/>		1



United States of America
Department of Transportation — Federal Aviation Administration
Supplemental Type Certificate

Number SR00043LA

This certificate, issued to VHE/PW
10564 E. Mission Lane
Scottsdale, Arizona 85258

certifies that the change in the type design for the following product with the limitations and conditions therefor as specified hereon meets the airworthiness requirements of Part 6 of the Civil Aviation and Part 27 of the Federal Aviation Regulations (See TCDS for applicable dates and amendments) Regulations. (See TCDS for applicable dates and amendments)*

Original Product — Type Certificate Number: H3WE
Make: McDonnell Douglas Helicopter Company
Model: 369D, E, F, FF, 500N

Description of Type Design Change: Installation of clip on main rotor swashplate in accordance with FAA Approved Van Horn Engineering Drawing 500D2100, Revision N/C, dated April 18, 1994, or later FAA approved revisions.

Limitations and Conditions: The approval of this modification applies to the basic aircraft of the specified models that are otherwise unmodified. This approval should not be extended to other specific rotorcraft of these models on which other previously approved modifications are incorporated, unless it is determined that the interrelationship between this change and any of those other previously approved modifications will introduce no adverse effect upon the airworthiness of that airplane. A copy of this STC must be included in the permanent records of each rotorcraft modified in accordance with this STC.

This certificate and the supporting data which is the basis for approval shall remain in effect until surrendered, suspended, revoked, or a termination date is otherwise established by the Administrator of the Federal Aviation Administration.

Date of application: June 8, 1994

Date received:

Date of issuance: February 28, 1995

Date amended:



By direction of the Administrator
Michael W. C. Lane

Manager, Airframe Branch
Los Angeles Aircraft Certification Office

(Title)

Any alteration of this certificate is punishable by a fine of not exceeding \$1,000, or imprisonment not exceeding 3 years, or both.

This certificate may be transferred in accordance with FAR 21.47.

FEDERAL AVIATION ADMINISTRATION - PARTS MANUFACTURER APPROVAL


VHE/PW Helicopters
16607 Clear Creek Road
Redding, California 96001

PMA NO. PQ1913NM
SUPPLEMENT NO. 1
Date: June 6, 1997

<u>NAME AND PART NO.</u>	<u>APPROVED REPLACEMENT FOR</u>	<u>APPROVAL BASIS & APPROVED DESIGN DATA</u>	<u>INSTALLATION ELIGIBILITY</u>
Part Name: Clip, Swashplate P/N: 500D2110	Modification Part	STC SR00043LA Dwg. No.: 500D2100 Revision No.: N/C Date: April 18, 1994 or later FAA approved revisions	McDonnell Douglas Helicopter Company Model(s): 369D, E, F, FF, 500N

-----END OF LISTING-----

NOTE: Minor design changes (reference 14 CFR part 21 § 21.93 and 21.95) must be submitted in a manner as determined by the ACO. Major design changes (reference 14 CFR part 21 § 21.93 and 21.97) to drawings and specifications are to be handled in the same manner as that for an original FAA-PMA. The provisions of the Federal Aviation Regulations, noted in your PMA letter of approval dated June 6, 1997, apply to this PMA Supplement.



Wyman G. Shell
Manager, Van Nuys Manufacturing
Inspection District Office